



**12 > 14 GIUGNO
2026**

**MANIAGO
MONTEREALE
VALCELLINA**

2026 UEC PARA-CYCLING ROAD EUROPEAN CHAMPIONSHIPS





2

ROLL CALL

Nations roll call

ARM

FRA

ITA

ROU

AUT

GBR

LUX

SLO

BEL

GER

MNE

SUI

CYP

GRE

NED

SVK

CZE

HUN

NOR

SWE

DEN

IRL

POL

TUR

ESP

ISR

POR

AIN

EST



1

INTRODUCTION



**WELCOME
MR. UMBERTO SCARABELLO – MAJOR OF
MANIAGO**

2026 UEC PARA CYCLING EUROPEAN CHAMPIONSHIPS

Roberto Bertolo – Michele Turchet
Race Director

- **Nevio Alzetta**
Event Manager

Christian Magiera (ITA)
President of the Commissaires' Panel

- **Enrico Della Casa (ITA)**
UEC President
- **Tiziana LARDIERI (SUI)**
UEC Events Coordinator

- **Roberto Rancilio (ITA)**
UEC Technical Delegate



3

TECHNICAL INFORMATION

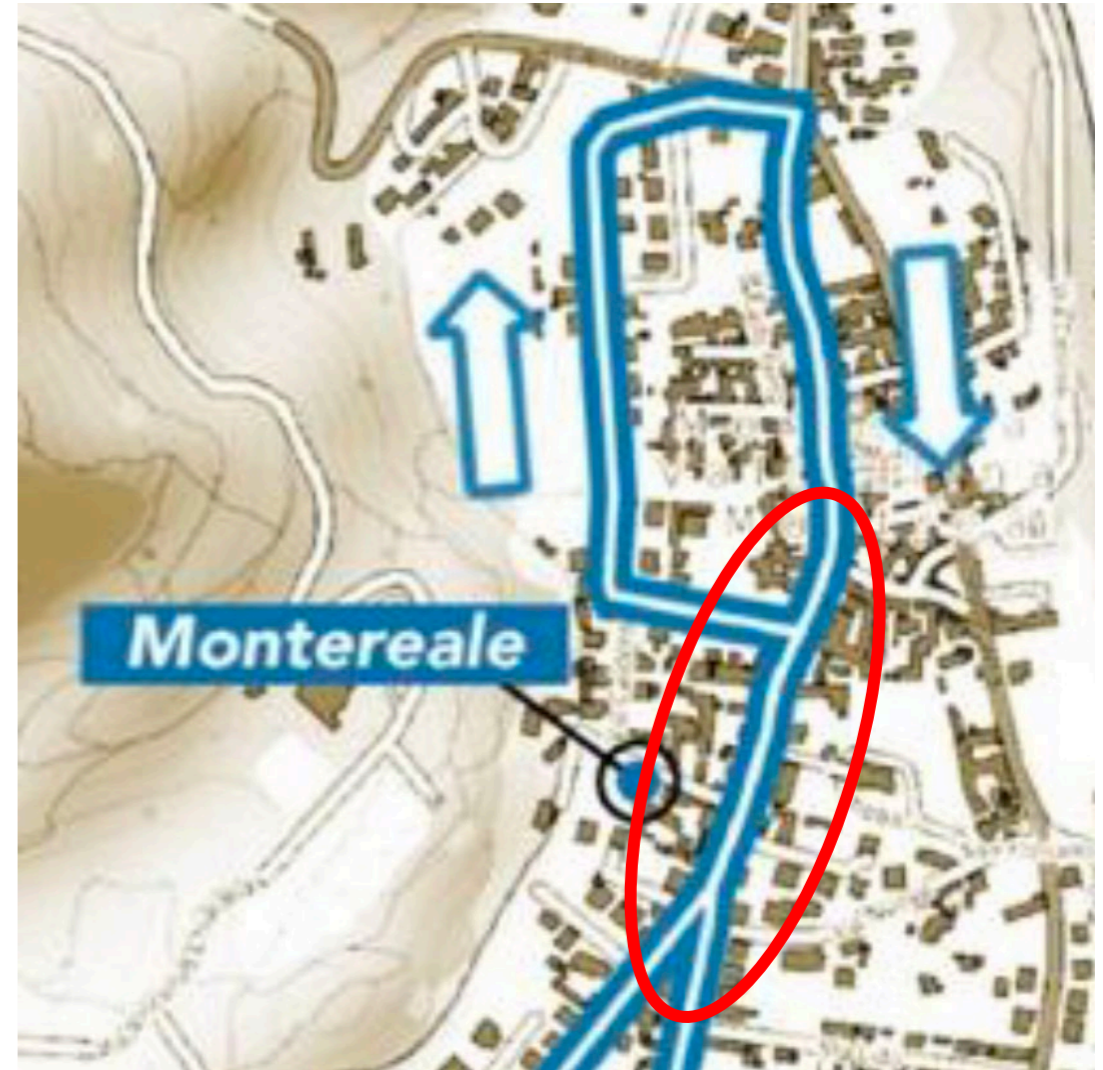
TT

- Length 9,300 km
- Start / Finish inside the sport center
- Following cars allowed



TT

- In Montereale road split in 2 lanes for 100 mt



TT – Start / Finish area

- **START**

Access the start lane via the road aside the gym

MULTIPLE LAPS

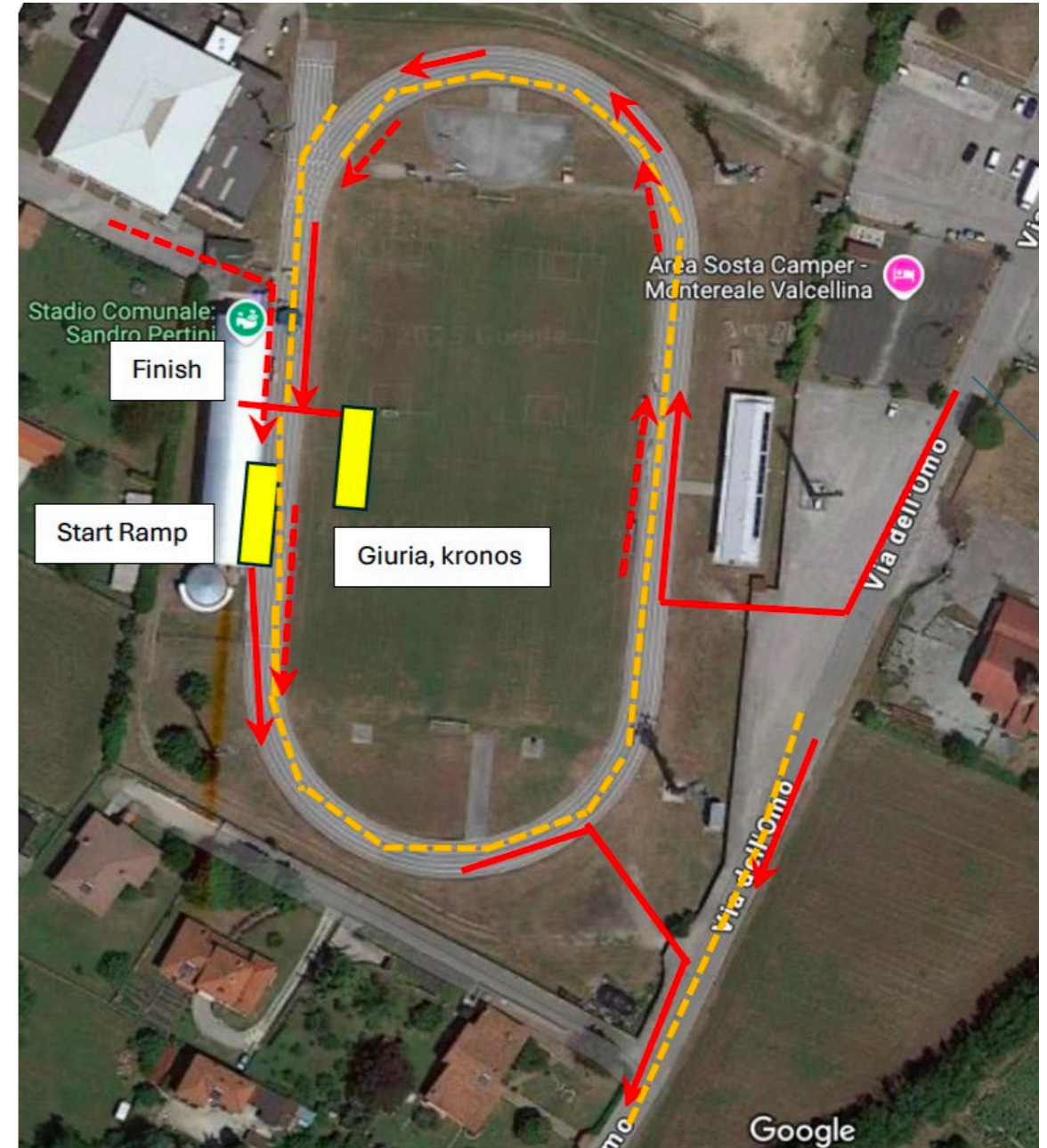
DO NOT ENTER the sport center and go straight for the 2nd/3rd lap

Note: there will be an intermediate timing point

- **FINISH**

After crossing the line, complete the lap on the inner lane slowing down.

A marshal will help riders to exit



TT – Following cars

- enter / exit the course using the road in front of the parking
- A marshall will manage the entrance
- Multiple laps NO ENTER in the sport center

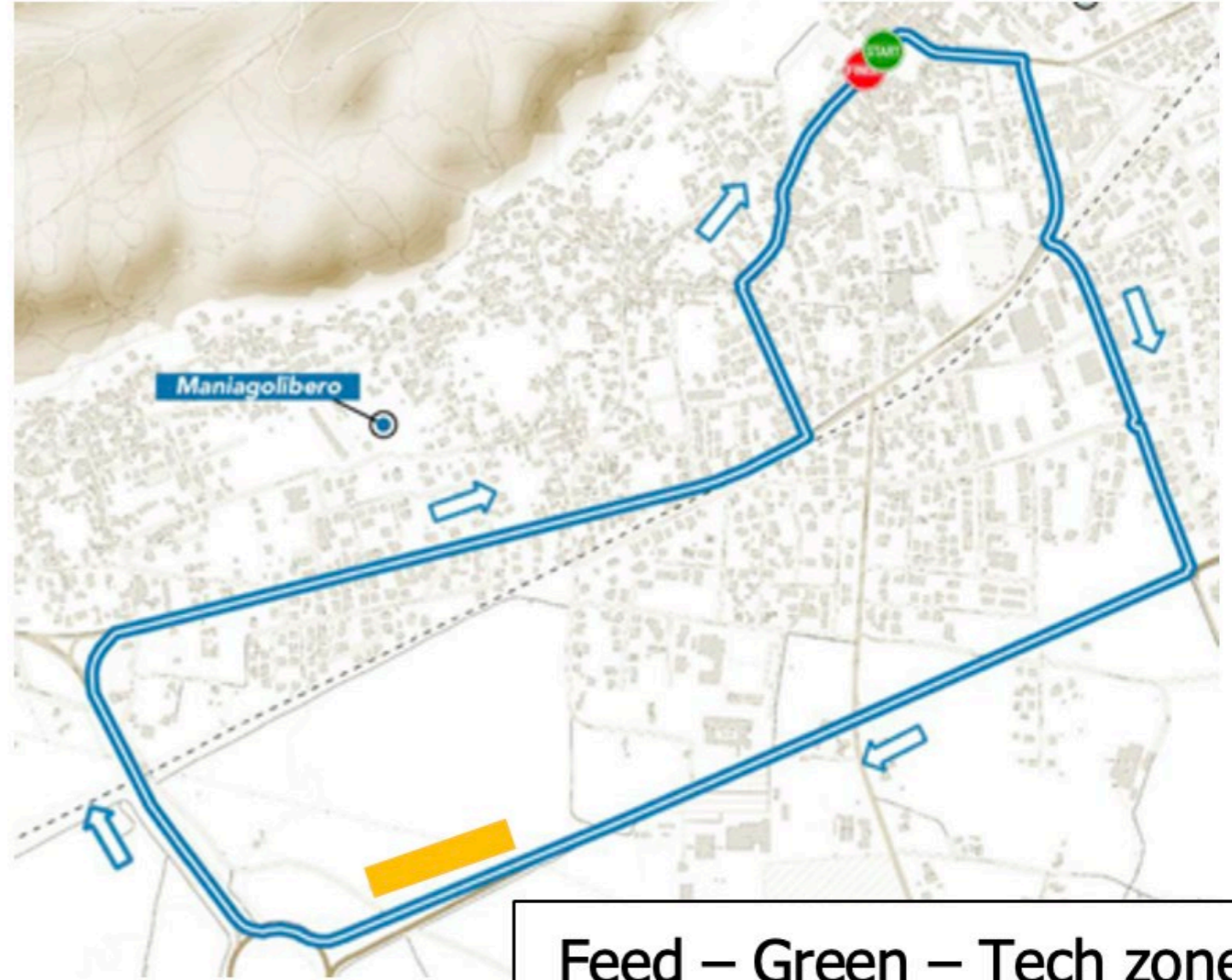
Team cars deviation
at FINISH ONLY

Team cars waiting lane



RR

- Length 6,600 km
- Start / Finish Piazza Italia
- Feed zone road to Montereale (via Marco Polo)



Feed – Green – Tech zone

Road Race

- Call up area in Piazza Italia



WhatsApp group





4 SPORTING ASPECTS

COMMISSAIRES PANEL

President of the Commissaires Panel : Christian Magiera (GER)

UCI Commissaires appointed by UEC : Peter Judez (SLO)

Commissaire FCI: Tiziana Coccioni (ITA)

Commissaires moto FCI : Federico Calosso (ITA), Cosimo Patrino (ITA). Andrea Lista (ITA)

Commissaire FCI : Linda Bottoni (ITA)

Race Secretary FCI : Chiara Compagnin (ITA)

COMMISSAIRE UPDATE

- UCI Rules (Part I, II, X, XVI) & **UCI penalty scale**
- Daily Communiques, including start lists
- For RR & TT - Safety Bars securely fitted, to both Handbikes and Trikes
- Transponders must be used in RR and TT
- Victory Ceremony (Race clothing, race shoes or trainers, NO headbands or sunglasses, no selfies before and during ceremony on podium, children)
- Time limit for confirmation of team relay teams: Sat June 13th, 18:30

Pre Checks – sport classes B and C

FRI 12th June

08:00 – 08:45

10:30 – 10:45

11:15 – 11:45

12:30 – 13:15

Clothing

- National Team Clothing is mandatory
- World Champions can wear their champions jersey

Numbers

- Bike plates, numbers and transponders correctly fitted
- For ITT, Race numbers can be placed in transparent pockets
- For RR Race numbers must be fitted to the outside of the jersey not in pockets
- For Handbikes for ITT, TR & RR place place numbers on both sides – left and right (Leg or Bike)
 - Priority TT: left leg
 - Priority RR: right leg

Race Progression

- For ITT, race bike checks 10` prior to the start – riders must also present at this time in race attire
- For RR, Call Up 10` prior to start – riders must be there when their name is called or be placed at back of grid (**allow time for bike check before**)

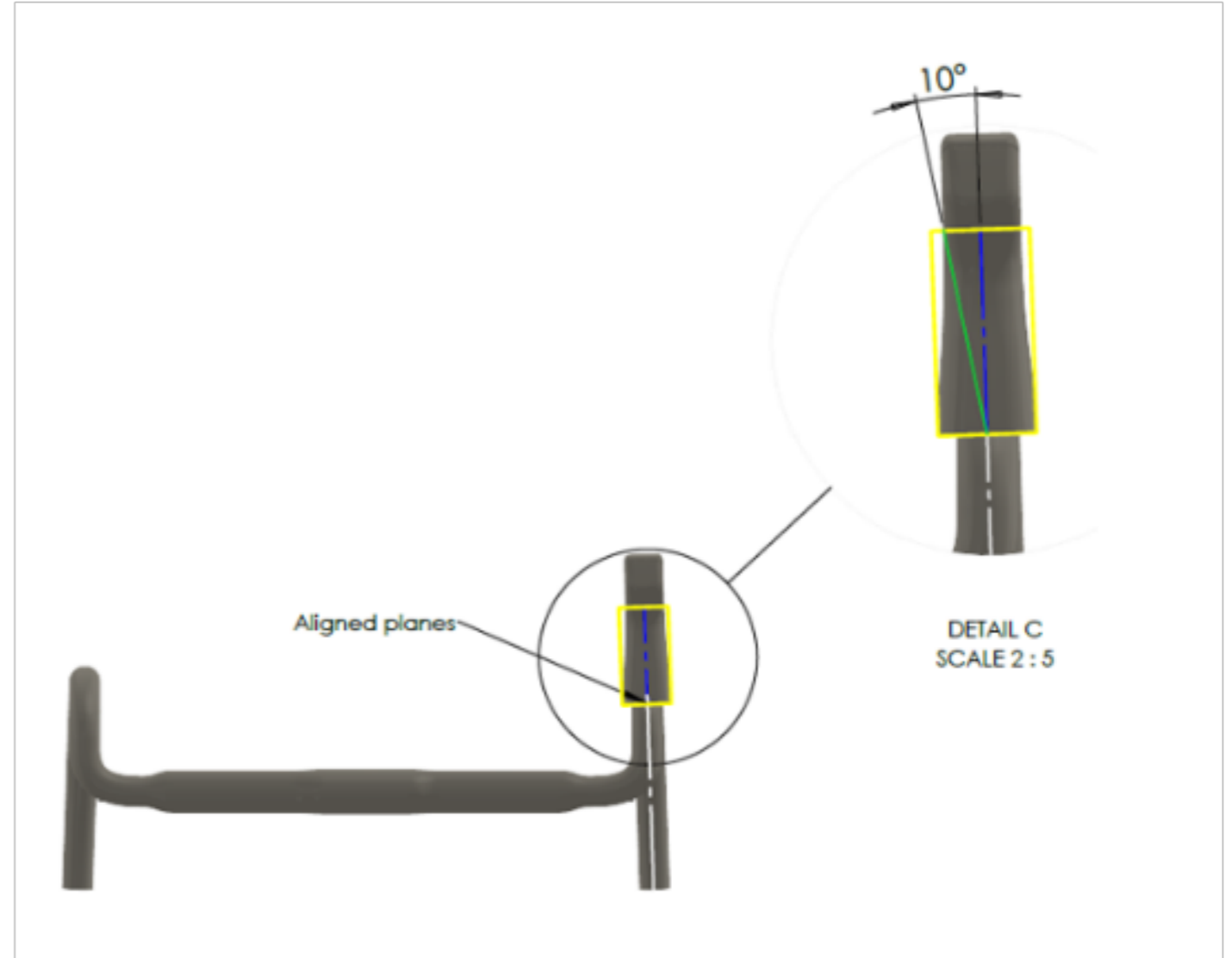
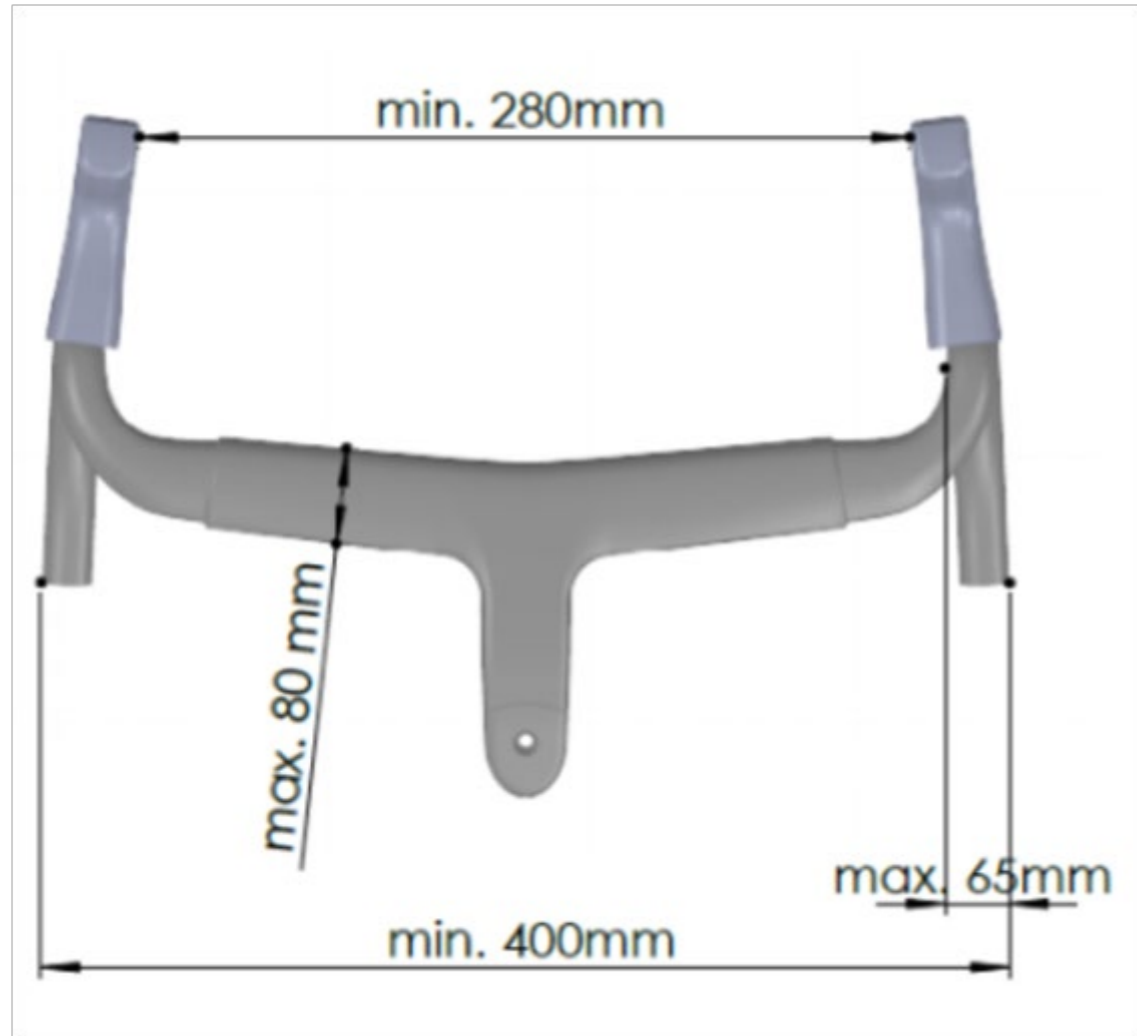
Road race: 2 lap boards

White: race 1

Yellow: race 2

- When the first rider of the race finishes, at the following passage is the finish for all other competitors in that race

Handlebars



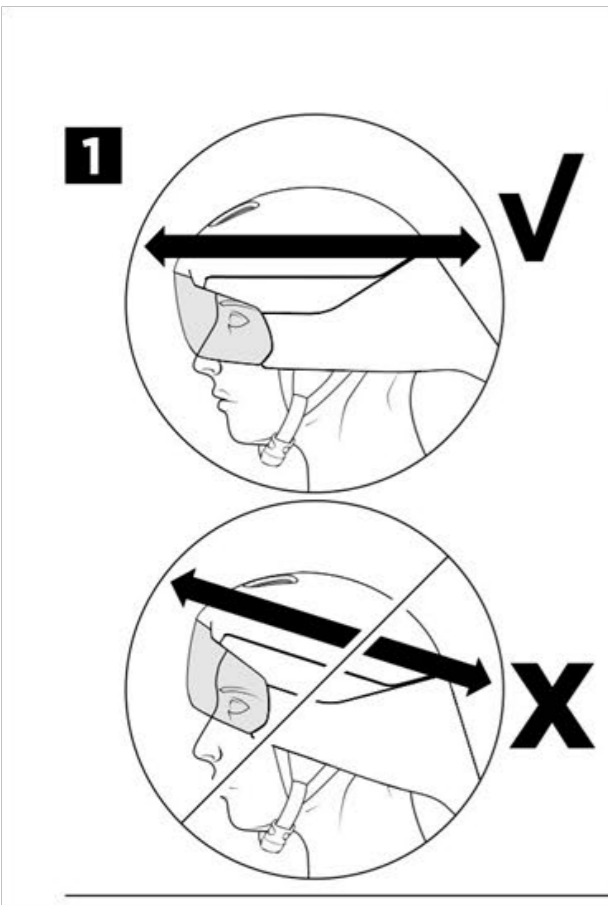
ROAD RACE HELMET CHECKS

- VISUAL CHECK of 3 criteria :
 - Minimum 3 air inlet openings
 - Ears must not be covered
 - No integrated or detachable visor

Some helmet models may be compliant for one rider and non-compliant for another (e.g. covered or uncovered ears)

If in doubt – get checked the day before to ensure compliance

CORRECT POSITION/USE OF HELMETS AND VISORS



STEP 1: POSITION THE HELMET

1.1

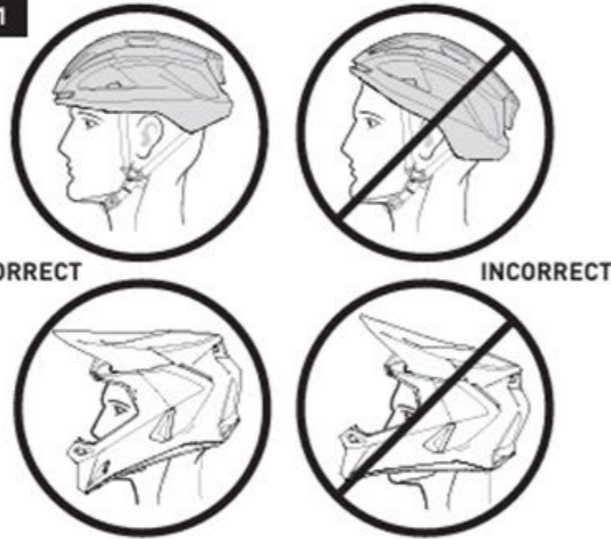


FIG. 1.1

A helmet should fit snugly without being uncomfortably tight. Position the helmet on your head as shown in Fig. 1.1 (CORRECT) so it sits low on your forehead, but not too low so that it obstructs your field of vision. Fig. 1.1 (INCORRECT) shows a helmet rotated too far back exposing the rider's forehead. Always wear your helmet low in the front and in a level position to protect the forehead as this area is most likely to be impacted in a crash.



HELMET COLOURS

- Helmet Colours – for Road defined in 16.10.002
- Wrong coloured Helmet – Not allowed to start – withdrawn and disqualified
- No tape
- Silver Helmets are not White, Yellow helmets are not orange !!!!
- How much red must be on a helmet to let it count as red
- If there are doubts, it's the commissaire who decides!

If you doubt that decision, buy a proper one !

ONBOARD TECHNOLOGY

1.3.006 *Onboard technology devices, which capture or transmit data, may be fitted on bicycles bis or worn by riders subject to being authorised [...] any device which captures or transmits data as described below, [...].*

1. Devices which capture or transmit the following types of data are authorised:

- [...];

- Image: still or moving images or footage captured from the bicycle (such devices may only be fitted on the bicycle unless specific regulations of a given discipline authorise devices being worn by riders);



Smart glasses (with integrated camera + AI) do not comply with these provisions in all disciplines

RIM HEIGHT



Handbike Disc Wheels

As per 16.17.008, rear disk wheels are permitted for all competitions. However, for categories H1 to H4, rear disk wheels must be no more than ETRTO 406mm in size to ensure riders visibility.

Front disk wheels are only permitted in Time Trials.

RIDERS'S POSITION

- 1.3.008** **Position** The rider shall normally assume a sitting position on the bicycle. This position requires that the only points of support are the following: the feet on the pedals, the hands on the handlebars and the seat on the saddle. **Furthermore, the rider must ensure firm control over the bicycle at all times.**

(text modified on 01.01.09; 01.01.26)



(Non-) ESSENTIAL EQUIPMENT

No Modifications to Body Shape with essential Items

- VISUAL CHECK of riders during races
- CAMELBAK: **outer layer**, not under jersey
- ANY BREAKING OF THE REGULATIONS WILL BE DEALT
- WITH UNDER UCI PENALTIES

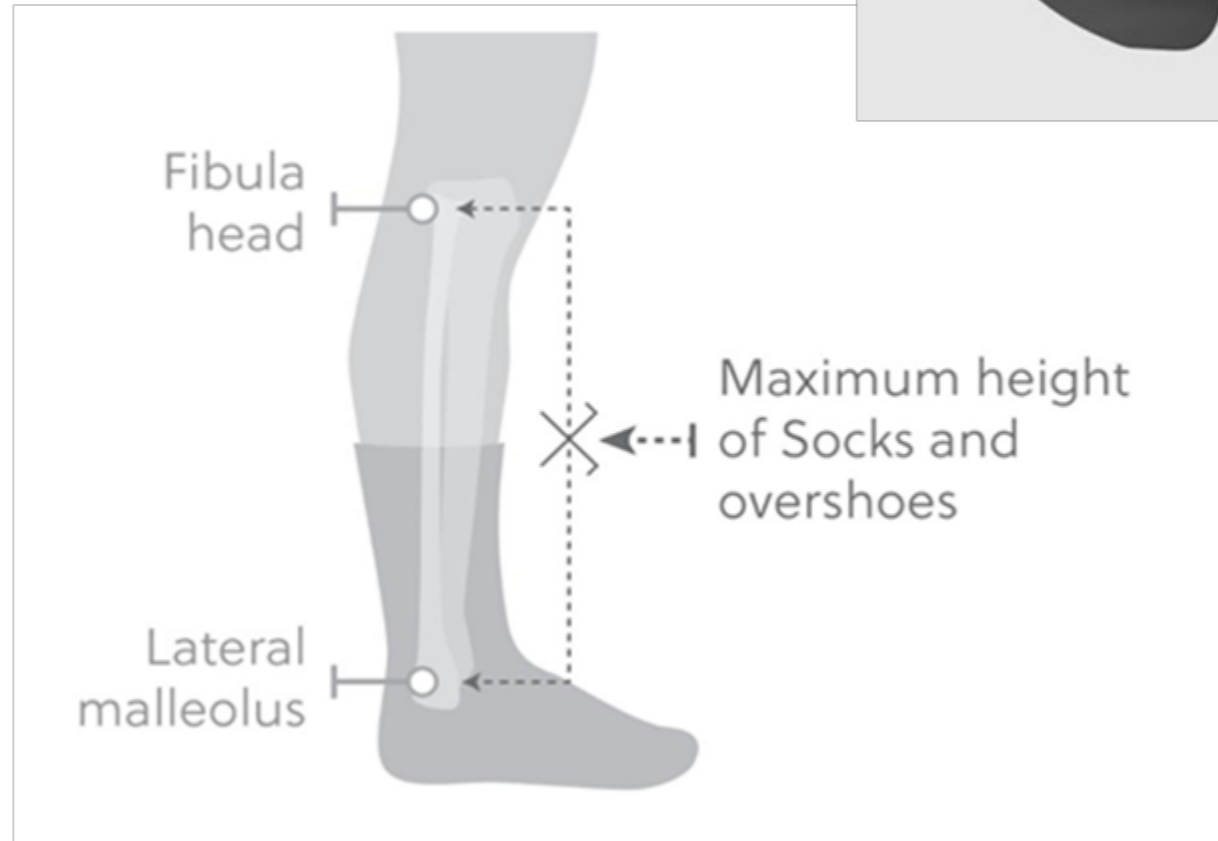
This can include Bottles in the Road Race and Radios in the Time Trial as well as any other equipment

Handbike: Shoes - A sock is not a shoe. The commissaires define what a shoe is

Non-Essential equipment can never be worn under clothing. Bottles, Garmins, Gels, etc.



Clothing



UEC European Champion jersey guidelines

- All guidelines regarding making the European Champion jersey will be available under this QR Code.
- This QR Code will be as well available at the award ceremony area.



Questions ?





5

DISTRIBUTION OF BIBS

Distribution of bibs and car stickers

ARM

AUT

BEL

CZE

DEN

ESP

EST

FRA

GBR

GER

GRE

HUN

IRL

ISR

ITA

LUX

MNE

NED

NOR

POL

POR

ROU

SLO

SUI

SVK

SWE

TUR

AIN



**12 > 14 GIUGNO
2026**

**MANIAGO
MONTEREALE
VALCELLINA**

2026 UEC PARA-CYCLING ROAD EUROPEAN CHAMPIONSHIPS

Thank you and good luck.

